



12LS-0.8

12V 0,8Ah
with Molex terminal

Design lifetime: 5 years



Q-Batteries 12LS-0.8 is an AGM battery, which is designed for standby applications such as fire-detecting-systems, UPS or burglar-systems.

Application:

UPS, security- and telecommunicationsystems etc.

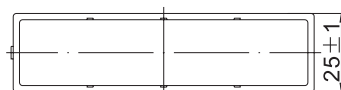
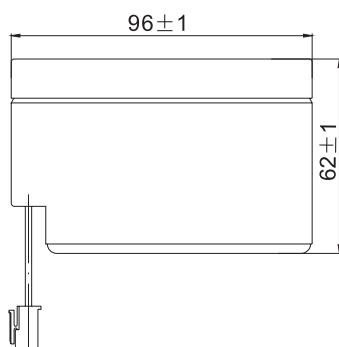


Specification:

Voltage Per Unit	12 V		
Capacity	0,8 Ah	@20hr-rate to 1.8V per cell @25°C	
Cells Per Unit	6		
Weight	ca. 0,35 kg +/- 3%		
Max. Discharge Current	12 A (5 sec.)		
Internal Resistance	ca. 180m Ω		
Operating Temperature Range Normal	Discharge: - 15°C – 50°C	Charge: 0°C – 40°C	Storage: - 15°C – 40°C
Operating Temperature Range	25°C ± 3°C		
Self Discharge	Valve Regulated Lead Acid (VRLA) batteries can be stored for more than 6 months at 25°C. Self-discharge ratio less than 3% per month at 25°C. Please charge batteries before using.		
Terminal	Molex (43025-0200)		
Container Material	A.B.S. (UL94-HB)		

Dimensions:

96 Length x 25 Width x 62 mm Height



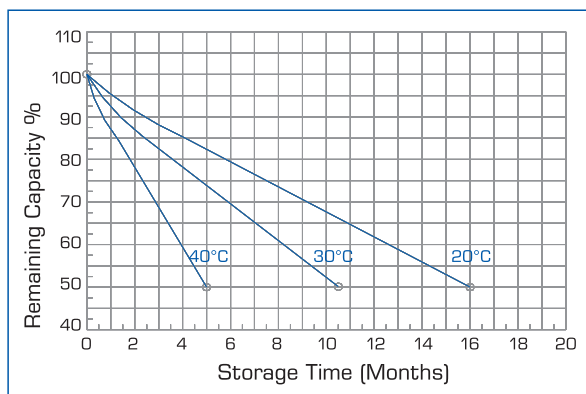
Constant current discharge characteristics: A (25°C)

FV/Time	5 Min.	10 Min.	15 Min.	30 Min.	1 HR	2 HR	3 HR	4 HR	5 HR	8 HR	10 HR	20 HR
1.85V	1.54	1.07	0.883	0.614	0.386	0.236	0.180	0.148	0.125	0.086	0.072	0.040
1.80V	1.89	1.28	1.02	0.680	0.416	0.251	0.189	0.155	0.131	0.090	0.074	0.040
1.75V	2.24	1.44	1.13	0.726	0.438	0.262	0.196	0.160	0.134	0.092	0.076	0.040
1.70V	2.54	1.59	1.22	0.763	0.456	0.272	0.202	0.164	0.138	0.093	0.077	0.041
1.65V	2.80	1.71	1.29	0.795	0.475	0.280	0.207	0.168	0.141	0.095	0.078	0.042
1.60V	2.94	1.79	1.35	0.818	0.486	0.289	0.212	0.172	0.144	0.097	0.080	0.042

Constant current discharge characteristics: Watt (25°C)

FV/Time	5 Min.	10 Min.	15 Min.	30 Min.	1 HR	2 HR	3 HR	4 HR	5 HR	8 HR	10 HR	20 HR
1.85V	2.9	2.04	1.7	1.2	0.761	0.467	0.357	0.295	0.251	0.174	0.145	0.080
1.80V	3.52	2.41	1.95	1.32	0.815	0.494	0.374	0.308	0.260	0.179	0.149	0.080
1.75V	4.12	2.7	2.13	1.4	0.853	0.512	0.384	0.316	0.266	0.183	0.151	0.081
1.70V	4.62	2.94	2.29	1.46	0.884	0.530	0.395	0.322	0.271	0.184	0.153	0.082
1.65V	5.03	3.13	2.39	1.51	0.915	0.543	0.403	0.327	0.275	0.187	0.154	0.082
1.60V	5.19	3.21	2.46	1.53	0.928	0.556	0.410	0.333	0.279	0.189	0.156	0.082

Storage characteristic:



Charging Method:

Recharge after use, at least every 6th month:

Cyclic charging voltage
14,6 to 14,8 V (25°C)

Float charging voltage (25°C)
13,6 to 13,8 V (25°C)

Maximum charging current
0,24A

Do not short circuit the battery.

Capacity Factors with different Temperature:

Battery Type		-20°C	-10°C	0°C	5°C	10°C	20°C	25°C	30°C	40°C	45°C
GEL Battery	6V & 12V	50%	70%	83%	85%	90%	98%	100%	102%	104%	105%
	2V	60%	75%	85%	88%	92%	99%	100%	103%	105%	106%
AGM Battery	6V & 12V	46%	66%	76%	83%	90%	98%	100%	103%	107%	109%
	2V	55%	70%	80%	85%	92%	99%	100%	104%	108%	110%